

# INSTRUMENT

Version 2022

Corporate Profile

INTELLIGENT SEMSOMG SOLUTIONS

Innovate Value For  
Sustainability

Make a difference in Instruments

# OUR COMPANY

ABG, headquartered in the United Kingdom, is an internationally renowned professional manufacturer of intelligent instruments, committed to providing customers with integrated control and automation solutions. ABG's innovative technologies and interconnection solutions are widely used in chemical, electric power, medical, photovoltaic and other fields.



Make a difference in Instruments

# OUR COMPANY VALUES

Our professional team pursues the goal of creating an interconnected, smarter, safer and more sustainable world. Quality and innovation are our core values.

## **Applicability**

ABG's different product series can always provide the most suitable products according to your different working conditions.

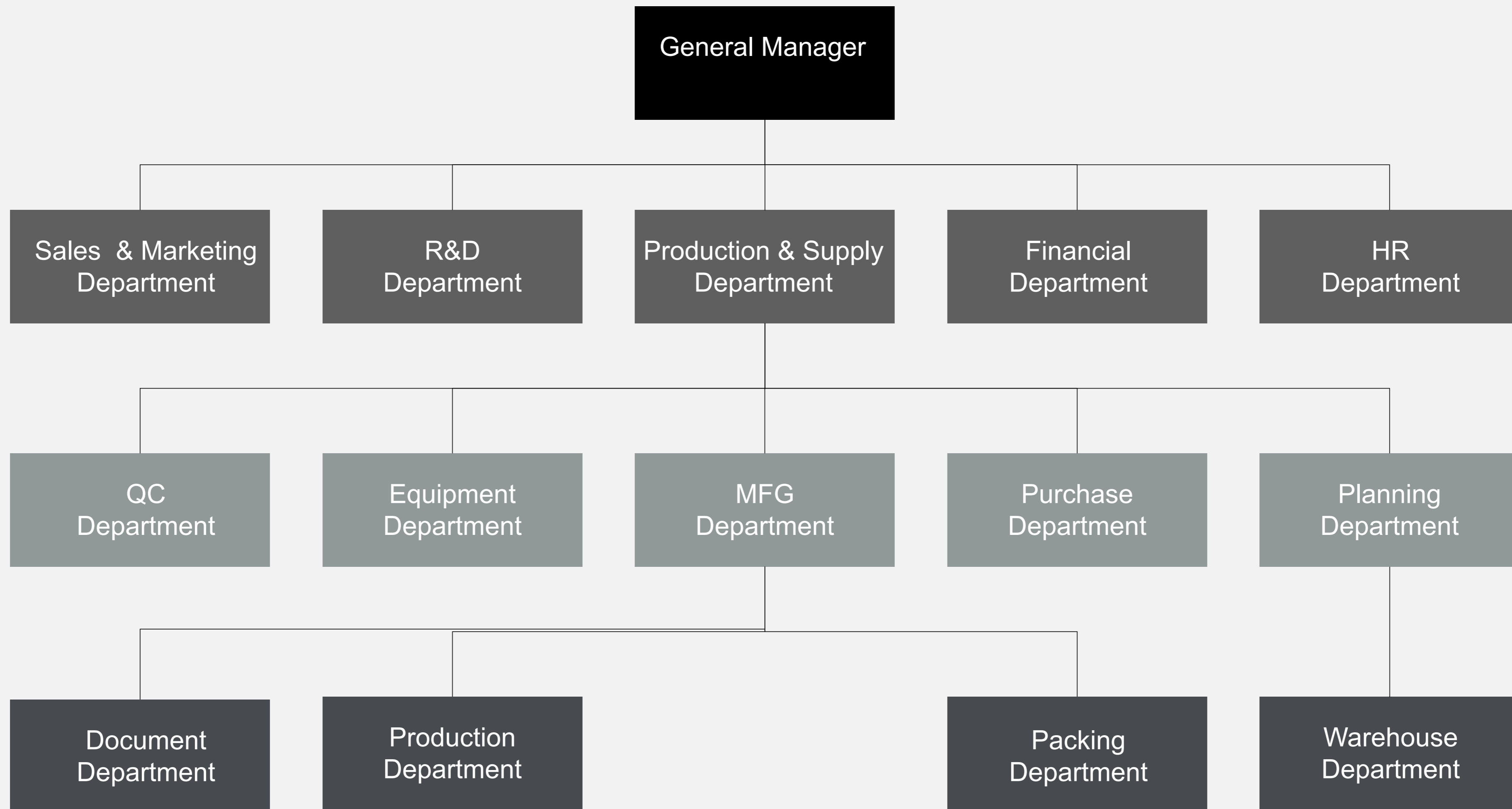
## **Innovative**

ABG achieves innovation through continuous research and development. Innovative breakthroughs have been made in different industries and fields, and valuable application cases have been accumulated.



Make a difference in Instruments

# OUR ORGANIZATIONAL CHART





Experience the Difference

LEARN



Value added Service

PRACTICE

WE ARE SPECIALIZED IN

# Intelligent sensing solutions

-Magnetostrictive level meter



- ◆ Accuracy up to 0.05%
- ◆ Multiple materials for your choices
- ◆ Intrinsically-safe and explosion-proof types as you require



- ◆ PFA with well anti-corrosion function
- ◆ Prime choice for fluid preparation
- ◆ Accuracy up to 0.05%



- ◆ Accuracy up to 0.05%
- ◆ Prime choice for filling
- ◆ Multiple materials for your choices

WE ARE SPECIALIZED IN

# Intelligent sensing solutions

-Magnetostrictive level meter



- ◆ Accuracy up to 0.05%
- ◆ Reading easily
- ◆ Multiple materials for your choices
- ◆ Prime choice for location
- ◆ Intrinsically-safe and explosion-proof types as you require



- ◆ Accuracy up to 0.05%
- ◆ Reading easily
- ◆ Multiple materials for your choices
- ◆ Prime choice for double level measurement
- ◆ Intrinsically-safe and explosion-proof types as you require



- ◆ Accuracy up to 0.05%
- ◆ Prime choice for limited space
- ◆ Multiple materials for your choices

The background is a dark grey technical drawing or CAD model of a mechanical part, possibly a turbine or engine component. It features various lines, curves, and a central spherical mesh structure. A white hand cursor icon is positioned in the upper right quadrant. A white rectangular border frames the central text.

# Instruments Support World





**Flexible  
customization**



**Easy  
maintenance**



**Excellent  
quality**



**Advanced  
technologies**



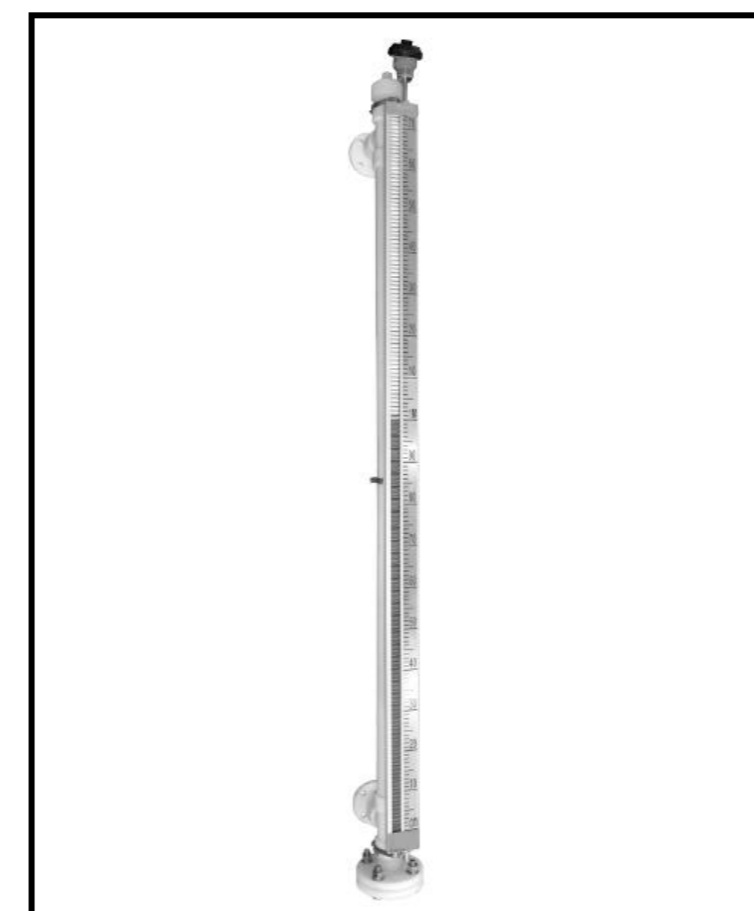
### Magnetostrictive level transmitter

- High accuracy: <math><0.01\text{F.S}</math>
- Material: SUS304/SUS316L/PP/PVDF/PVC/PFA
- Operating temp.:  $-40\sim 200^{\circ}\text{C}$
- Measuring Levels: 1 or 2 levels



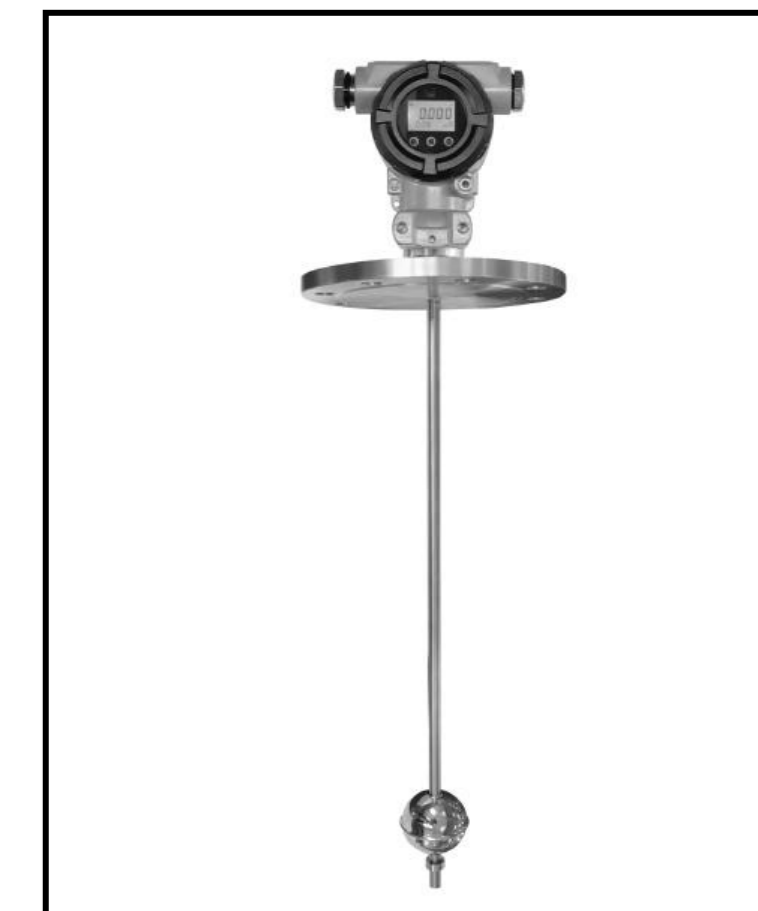
### Radar level transmitter

- Model of non contact measurement
- Measuring range: Max. 70m
- Operating temp.:  $-40\sim 400^{\circ}\text{C}$
- Operating pressure:  $-0.1\sim 40\text{MPa}$



### Magnetic level gauge

- Material: SUS304/SUS316L/PP/PVDF/PVC
- Max temperature:  $400^{\circ}\text{C}$
- Max pressure: 130 bar
- Installation: flexible



### Magnetic float level transmitter

- Housing: explosion proof or anti-corrosive
- Low cost, good durability
- Material: SUS304/SUS316/PP/PVDF/PVC
- Operating temp.: Max.  $80^{\circ}\text{C}$  PP/PVC;  $200^{\circ}\text{C}$  SUS304/316

Make a difference in Instruments

# OUR PRODUCTS



Flexible  
customization



Easy  
maintenance



Excellent  
quality



Advanced  
technologies



### Fork type level switch

- Power supply: suitable for different power supply
- Max. operating pressure: 2MPa
- Mini medium density: 0.6g/cm<sup>3</sup>
- Connection: flange/thread



### Side mounted float switch

- Max. Operating temp.: 350°C
- Wetted material: SUS304/3US316L/PP/PVDF
- Housing: explosion proof or anti-corrosive available
- Connection: flange, thread and many options



### Multiple point float level switch

- 1-8 multi-control points
- Housing: Housing: explosion proof or anti-corrosive available
- Max. Operating temp.: 200°C SUS304
- Connection: flange, thread and other options



### Rotary paddle level switch

- Operating temp.: -20~350°C • Installation: horizontal or vertical
- Well shaft seal to prevent dust penetration
- Connection: flange/thread
- Low cost and reliable powder level measuring instrument

Make a difference in Instruments

# OUR PRODUCTS



**Flexible  
customization**



**Easy  
maintenance**



**Excellent  
quality**



**Advanced  
technologies**



**Smart pressure transmitter**

- Power supply: 12~30VDC/24VDC
- Output: 4~20mA/0~10V etc.
- Housing material: SUS304/SUS316L/PVDF
- Accuracy: 0.2%F.S/0.5%F.S
- Smart and reliable pressure measurement



**Differential pressure transmitter**

- Power supply: 12~30VDC/24VDC
- Output: 4~20mA/1~5V/0~10V
- Accuracy: 0.075F.S/0.2%F.S/0.5%F.S
- Mature construction, various sensor types and multiple material choices to apply for multiple pressure measurement conditions



**Plug in pressure transmitter**

- Power supply: 12~30VDC/24VDC
- Output: 4~20mA/1~5V/0~10V etc.
- Accuracy: 0.2%F.S/0.5%F.S
- Soft or rod construction, best choice for deep well and long range liquid level measurement



**Temperature transmitter**

- Wetted material: SUS304 or customized
- Output: many kinds of output and ICP applicable
- Reliable structure, accurate delivery
- Sensor: K/S/PT100/PT1000

Make a difference in Instruments

**OUR PRODUCTS**



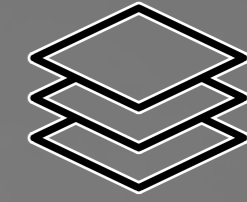
Flexible  
customization



Easy  
maintenance



Excellent  
quality



Advanced  
technologies



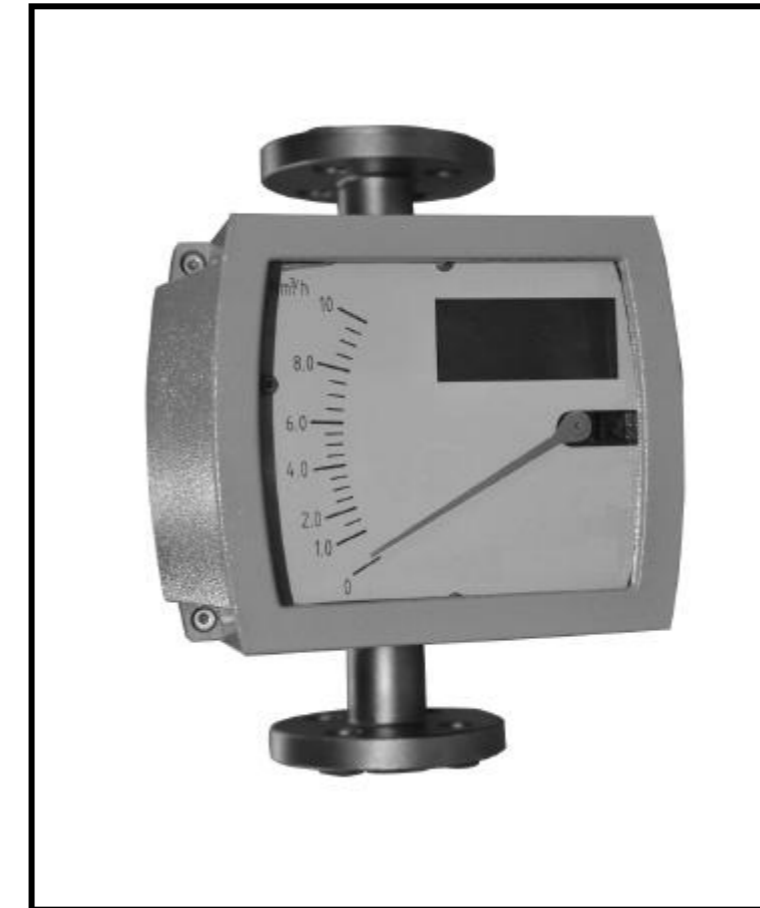
### Electromagnetic flow meter

- Medium: conductive liquid
- Accuracy:  $\pm 0.5\%$ F.S
- Operating temp.:  $-25 \sim 180^\circ\text{C}$
- Operating pressure: 1.0, 1.6, 4.0MPa
- Good accuracy, reliability and applicability



### Vortex flow meter

- Range: gas:  $7\text{m/s} \sim 40\text{m/s}$ ; liquid:  $0.7\text{m/s} \sim 7\text{m/s}$
- Pressure: 1.6~4.0MPa customized
- Temperature and pressure compensation integration, easy installation



### Metal rotor flow meter

- Tube material: SUS304/316/PTFE/Titanium alloy
- Operating temp.:  $-80 \sim 300^\circ\text{C}$
- Output: no/4~20mA/Pulse
- Low cost and reliable flow measurement



### Turbine flow meter

- Repeatability:  $0.05\% \sim 0.2\%$
- Accuracy:  $\pm 0.5\%$
- Output: 4~20mA/Hart/Pulse
- Sensor material: SUS304/SUS316
- Ideal option of flow measurement for clean fluid

Make a difference in Instruments

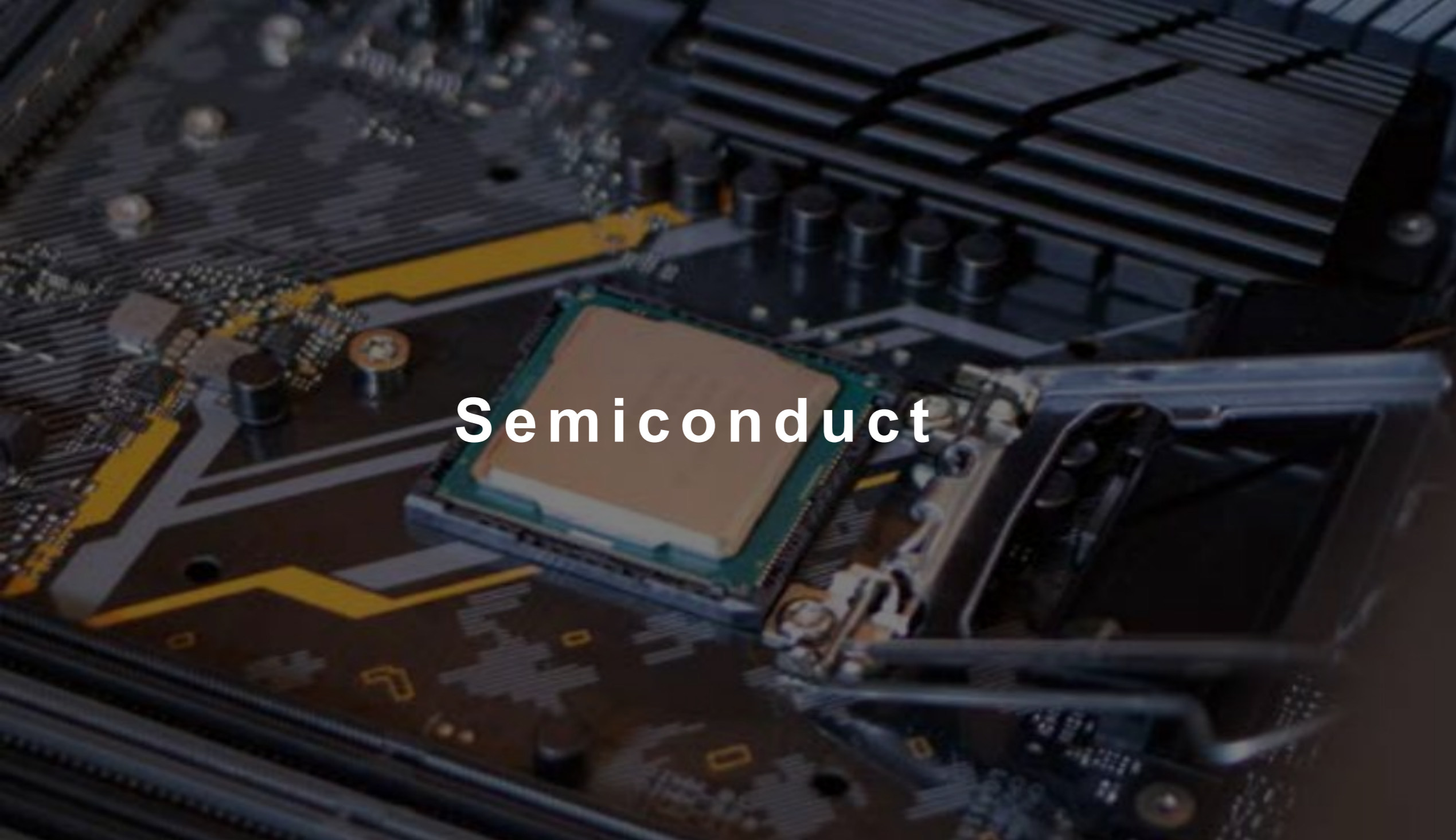
# OUR PRODUCTS

A W E S O M E

**We serve a diverse range of clients and markets.**

C R E A T I V E

**Trusted by Our Clients Worldwide**



**Semiconduct**



**Chemical Engineering**



**Photovoltaic**



**Building materials**



**Electric power**



**Health care**



**Environmental protection**



**Petroleum**



**Agrifood**



**Metallurgy**

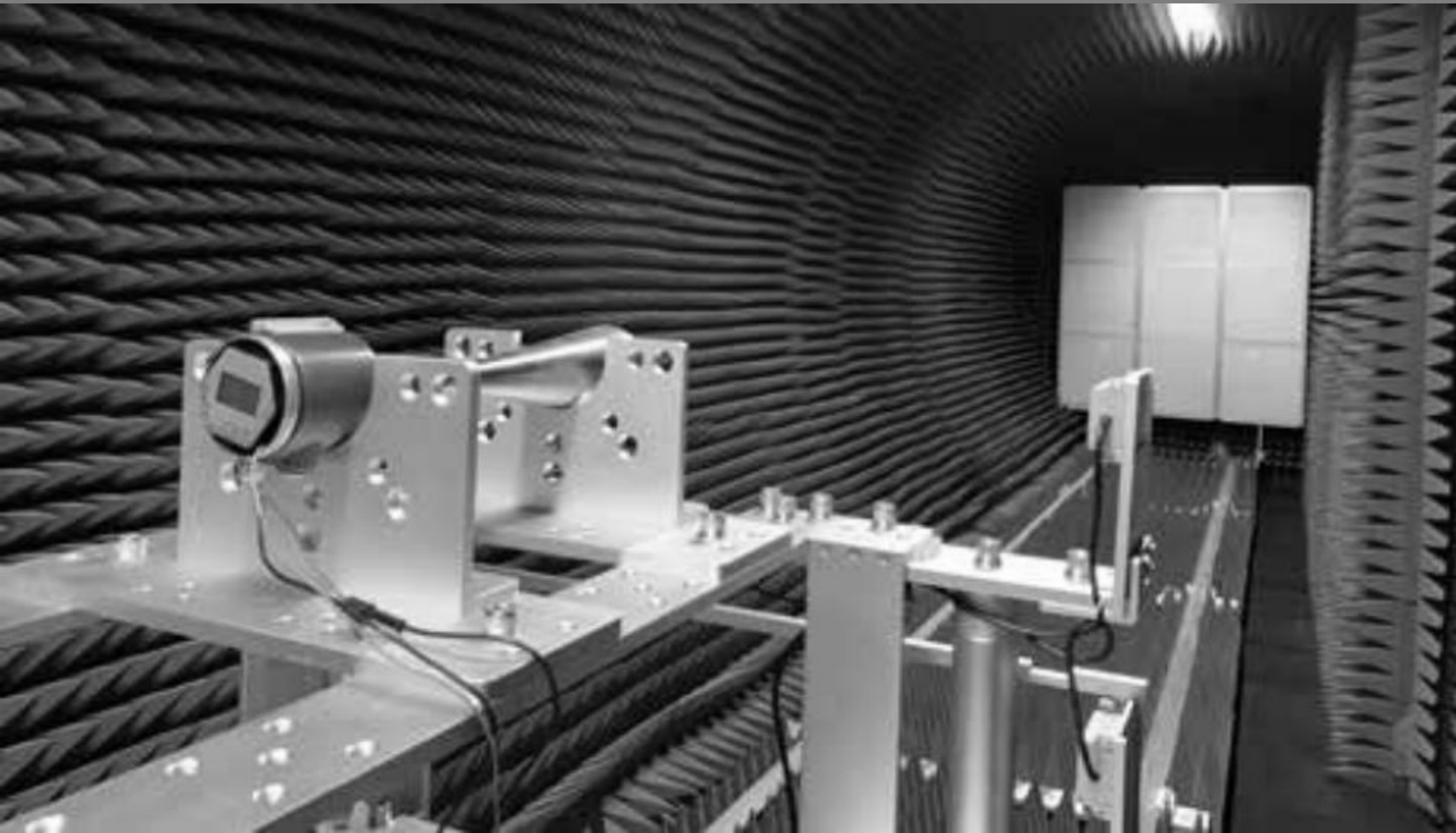
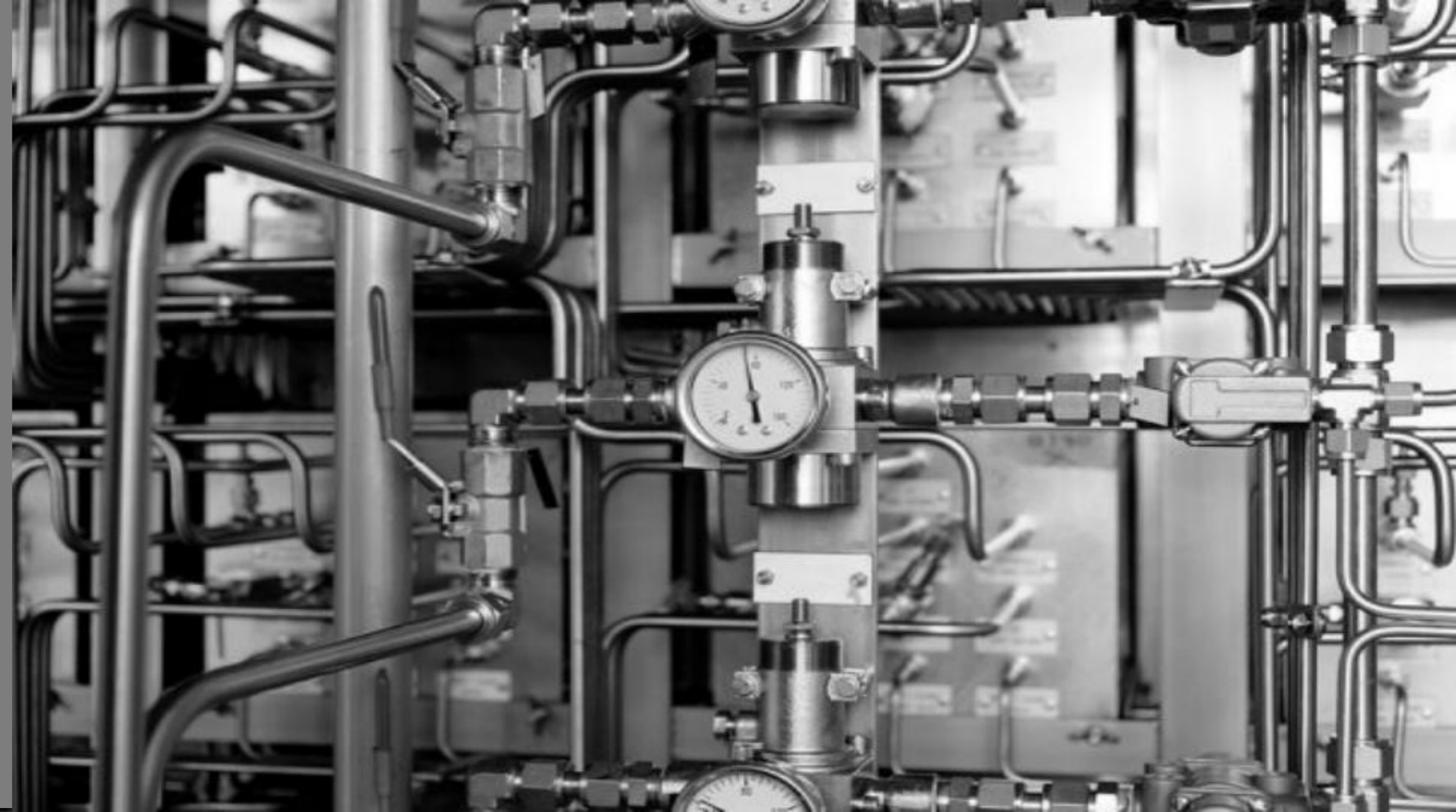
A landscape photograph featuring a paved road with a white dashed center line that recedes into the distance. The terrain is rugged and appears to be volcanic, with dark, rocky ground and patches of snow. In the background, a large, snow-capped mountain peak rises against a cloudy, overcast sky. The overall atmosphere is somber and desolate.

Instruments  
Impact  
Everything



# SERVICE

Get in touch with our Customer Service Team for parts or on site emergency support



# CONTACT SALES

Get in touch with our Sales Team to talk about your project needs and our capabilities



## LOCATION

Chase business center 39,  
chase side, London, United  
Kingdom

## ABG Automation Tech Co., Ltd

Innovate Value For Sustainability



## CONTACT US

[sales@abg-tech.com](mailto:sales@abg-tech.com)

[www.abg-tech.com](http://www.abg-tech.com)

